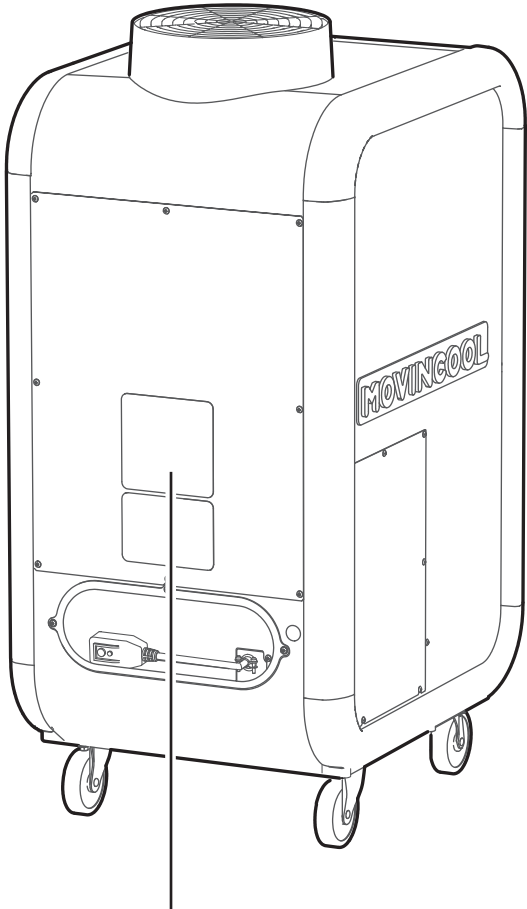


MOVINCOOL®

**SPARE PARTS
CATALOG**

CLIMATE PRO® K12

SERIAL NUMBER LOCATION



00 00 0000 000
Month Year Sequential Model
 number name

TABLE OF CONTENTS

SERIAL NUMBER LOCATION _____ **2**

Unit Part No:484000-4650

Unit Serial No. Range: 0819**K12 to Present**

Main Structure Parts _____ **4**

Bumper Panel Parts _____ **8**

Refrigeration Parts _____ **10**

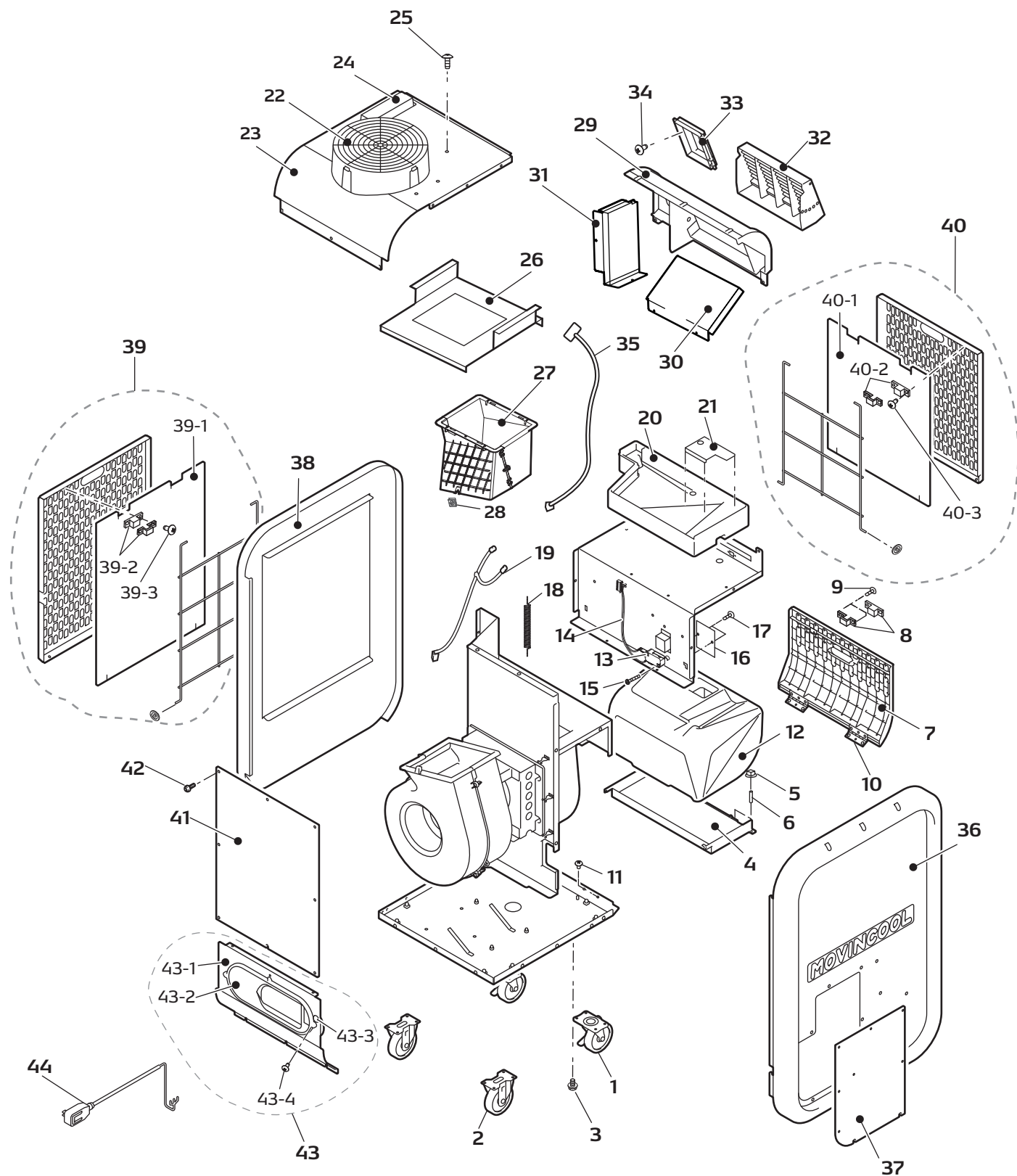
Blower Parts _____ **12**

Control Box Parts_1 _____ **14**

Control Box Parts_2 _____ **16**

REFERENCE TABLE _____ **18**

Main Structure Parts



Unit Part No: 484000-4650
 Unit Serial No. Range: 0819****K12 to Present

Y001

Main Structure Parts

No.	NAMES OF PARTS	PART No.	QTY	S/N RANGE*1	REMARKS*2
1	Caster, w/Brake	484702-0560	2		
2	Caster	484702-0570	2		
3	Bolt, w/Washer	91570-08201	8		M8 x 1.25, L=20
4	Frame Sub-Assy	484301-6750	1		
5	Nut	949056-1501	8		
6	Spacer, Metal	482837-0610	2		
7	Drain Tank Cover	484490-0910	1		
8	Latch & Strike	484927-1580	2		
9	Screw, Tapping	482801-2870	4		D=3, L=8
10	Hinge	484912-0200	2		
11	Screw	949006-8410	4		M4 x 0.7, L=5
12	Drain Tank	484731-0300	1		
13	Switch, Drain Tank	484502-0520	1		
14	Wire Assy	481950-3450	1		For Drain Tank
15	Screw w/Washer	91310-03161	2		M3 x 0.5, L=16
16	Connector Cover Plate	484311-4100	1		
17	Bolt	480919-1820	2		M4 x 0.7, L=10 Black
18	Spring, Tension Coil	949171-2090	2		For Drain Tank
19	Thermistor Assy	484532-0450	1		
20	Pan Assy, Drain	484430-0871	1		
21	Bracket	484321-4831	1		
22	Round Duct	484351-1120	1		
23	Panel Sub Assy	484470-5440	1		
24	Antenna	484500-5041	1		w/Wire
25	Bolt	480919-1820	6		M4 x 0.7, L=10 Black
26	Bracket	484321-4901	1		
27	Square Duct	484350-1220	1		
28	Plate, Fix	017642-0060	1		

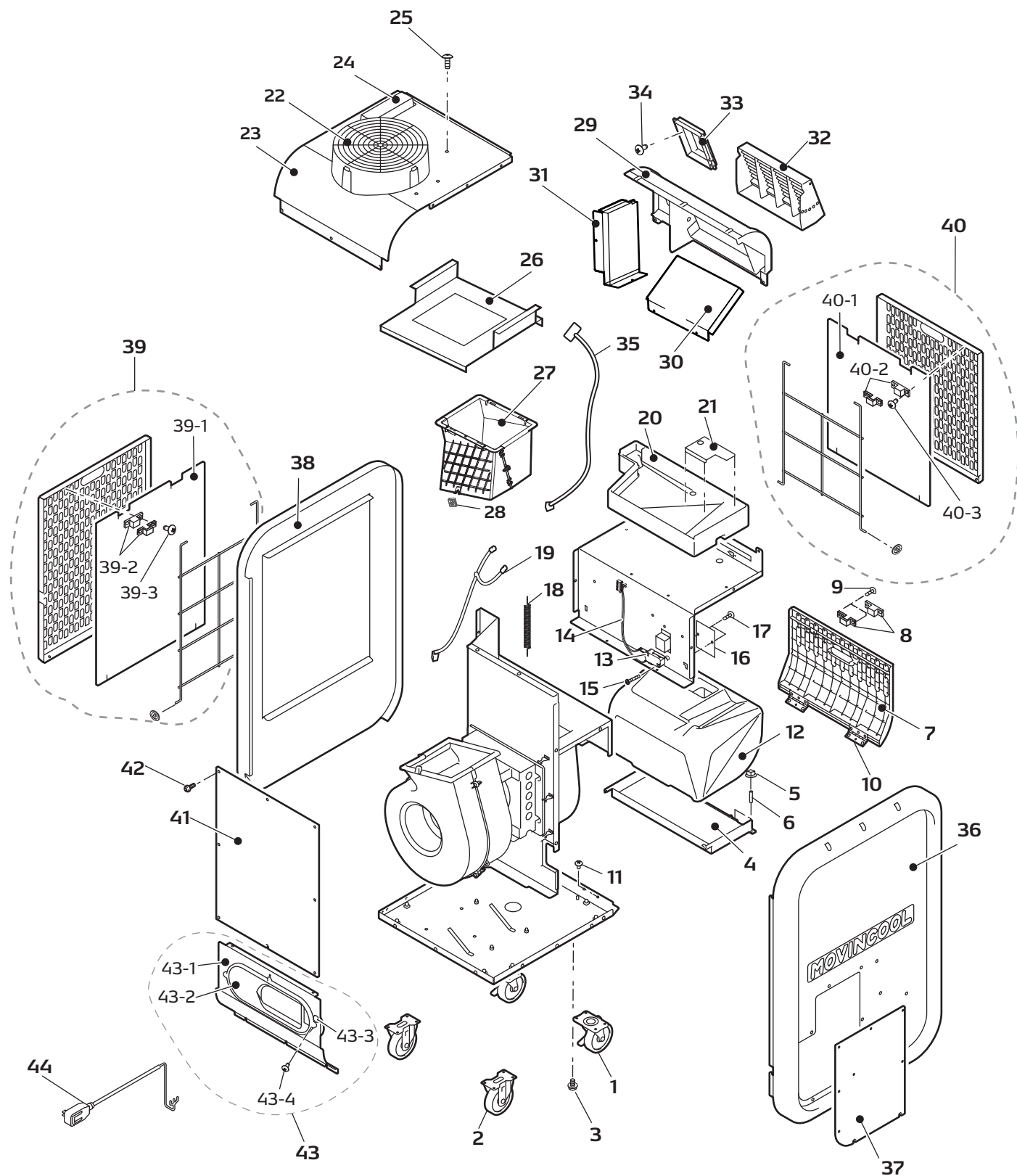
*1 Refer to page 2 for the position of the serial number on the unit. This column shows the first four digits of the serial number.

*2 Refer to the Reference Table on page 18 for more information on the remarks.

Unit Part No: 484000-4650

Unit Serial No. Range: 0819****K12 to Present

Main Structure Parts



Unit Part No: 484000-4650
 Unit Serial No. Range: 0819****K12 to Present

Y001

Main Structure Parts

No.	NAMES OF PARTS	PART No.	QTY	S/N RANGE*1	REMARKS*2
29	Panel Assy, Top Front	484390-1360	1		
30	Deflector Air	484320-0810	1		
31	Stay, Control Panel, Left	484320-0800	1		
32	Louver, Air Outlet	480431-0130	1		
33	Controller Assy	484500-5030	1		Operation Panel
34	Screw, Tapping	482801-2920	4		D=4, L=12
35	Wire Assy	481950-3510	1		Main Harness (RB) ↔(CB)
36	Panel Assy, Logo Side	484490-1800	1		No.36-1 to 36-7, See page 8 & 9
37	Panel Assy, Service	484490-0930	1		
38	Panel Assy, Condenser Side	484490-0890	1		No.38-1 to 38-9, See page 8 & 9
39	Panel Assy, Condenser Filter	484400-0730	1		Filter Panel, Wire Frame & No.39-1 to 39-3
39-1	Filter, Condenser	484401-2410	1		
39-2	Latch & Strike	484927-1580	2		
39-3	Screw, Tapping	949006-3300	4		M3 x 0.5, L=6
40	Panel Assy, Front Filter	484400-0720	1		Filter Panel, Wire Frame & No.40-1 to 40-3
40-1	Filter, Evaporator	484401-2390	1		
40-2	Latch & Strike	484927-1580	2		
40-3	Screw, Tapping	949006-3300	4		M3 x 0.5, L=6
41	Panel Assy, Upper Rear	484490-1510	1		
42	Bolt	480919-1820	78		M4 x 0.7, L=10 Black
43	Panel Assy, Lower Rear	484490-0880	1		No.43-1 to 43-4
43-1	Panel	484411-7641	1		
43-2	Power Cord Holder	484521-1631	1		
43-3	Grommet	484926-0750	1		
43-4	Bolt	480919-1820	3		M4 x 0.7, L=10 Black
44	Wire Assy, Power Cord	481950-3531	1		LCDI

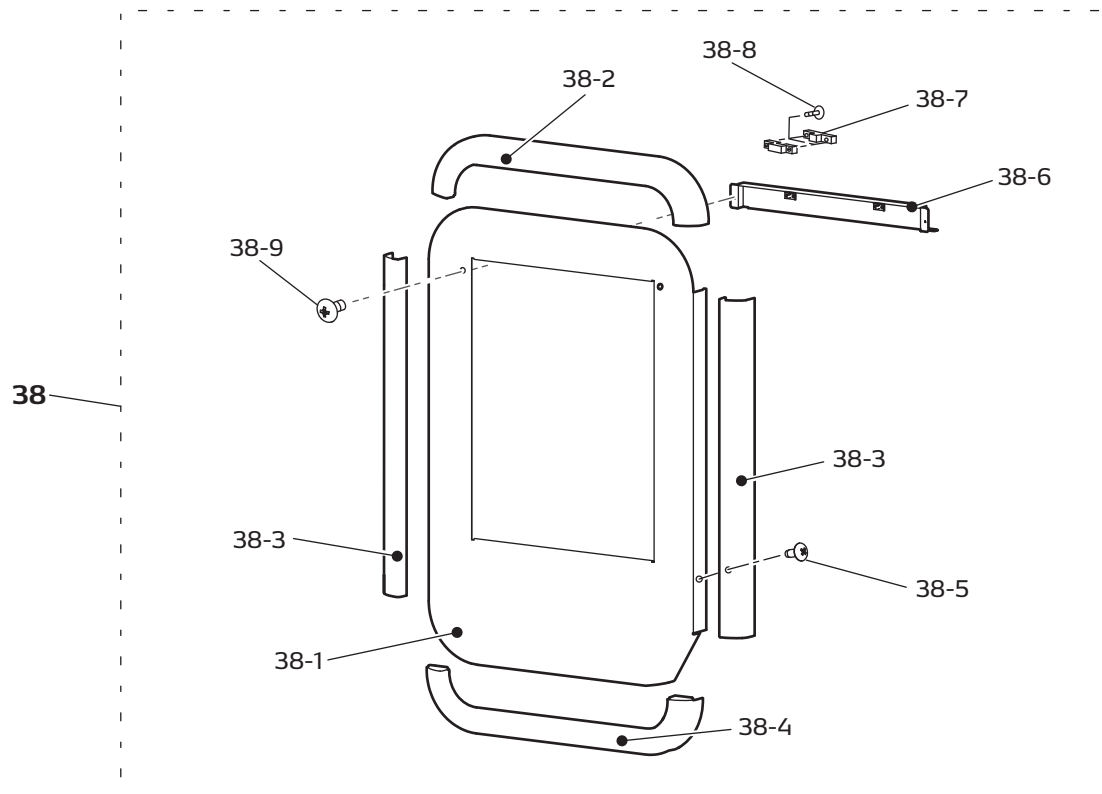
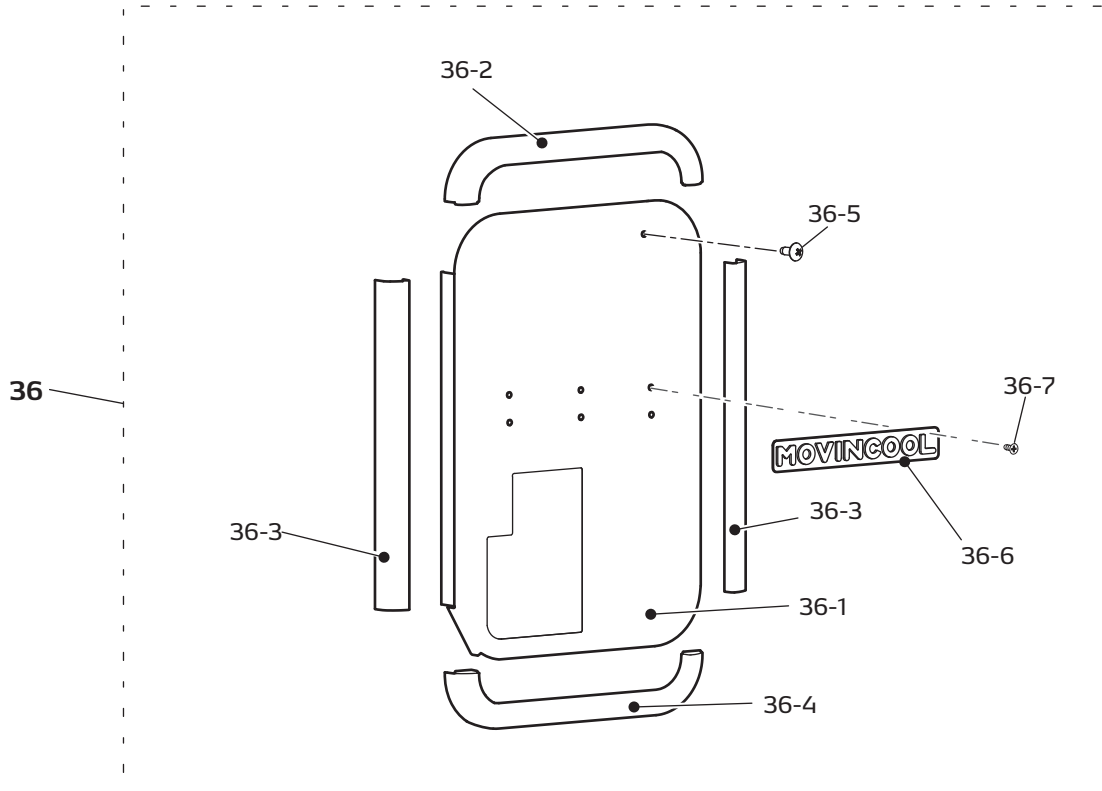
*1 Refer to page 2 for the position of the serial number on the unit. This column shows the first four digits of the serial number.

*2 Refer to the Reference Table on page 18 for more information on the remarks.

Unit Part No: 484000-4650

Unit Serial No. Range: 0819****K12 to Present

Bumper Panel Parts



Unit Part No: 484000-4650
Unit Serial No. Range: 0819****K12 to Present

Y002

Bumper Panel Parts

No.	NAMES OF PARTS	PART No.	QTY	S/N RANGE*1	REMARKS*2
36	Panel Assy, Logo Side	484490-1800	1		No.36-1 to 36-7
36-1	Panel	484490-1500	1		
36-2	Upper Bumper	484301-6820	1		
36-3	Side Bumper	484301-6830	2		
36-4	Lower Bumper	484301-6840	1		
36-5	Screw, Tapping	482801-3270	18		For Bumper, D4, L=12
36-6	Logo Plate	484311-4110	1		
36-7	Bolt	480919-1830	6		For Logo Plate, M4 × 0.7, L=10
38	Panel Assy, Condenser Side	484490-0890	1		No.38-1 to 38-9
38-1	Panel	484490-1490	1		
38-2	Upper Bumper	484301-6820	1		
38-3	Side Bumper	484301-6830	2		
38-4	Lower Bumper	484301-6840	1		
38-5	Screw, Tapping	482801-3270	18		For Bumper, D4, L=12
38-6	Stay Assy	484330-0910	1		
38-7	Latch & Strike	484927-1580	2		
38-8	Screw, Tapping	949006-3300	4		M3 × 0.5, L=6
38-9	Bolt	480919-1820	2		M4 × 0.7, L=10 Black

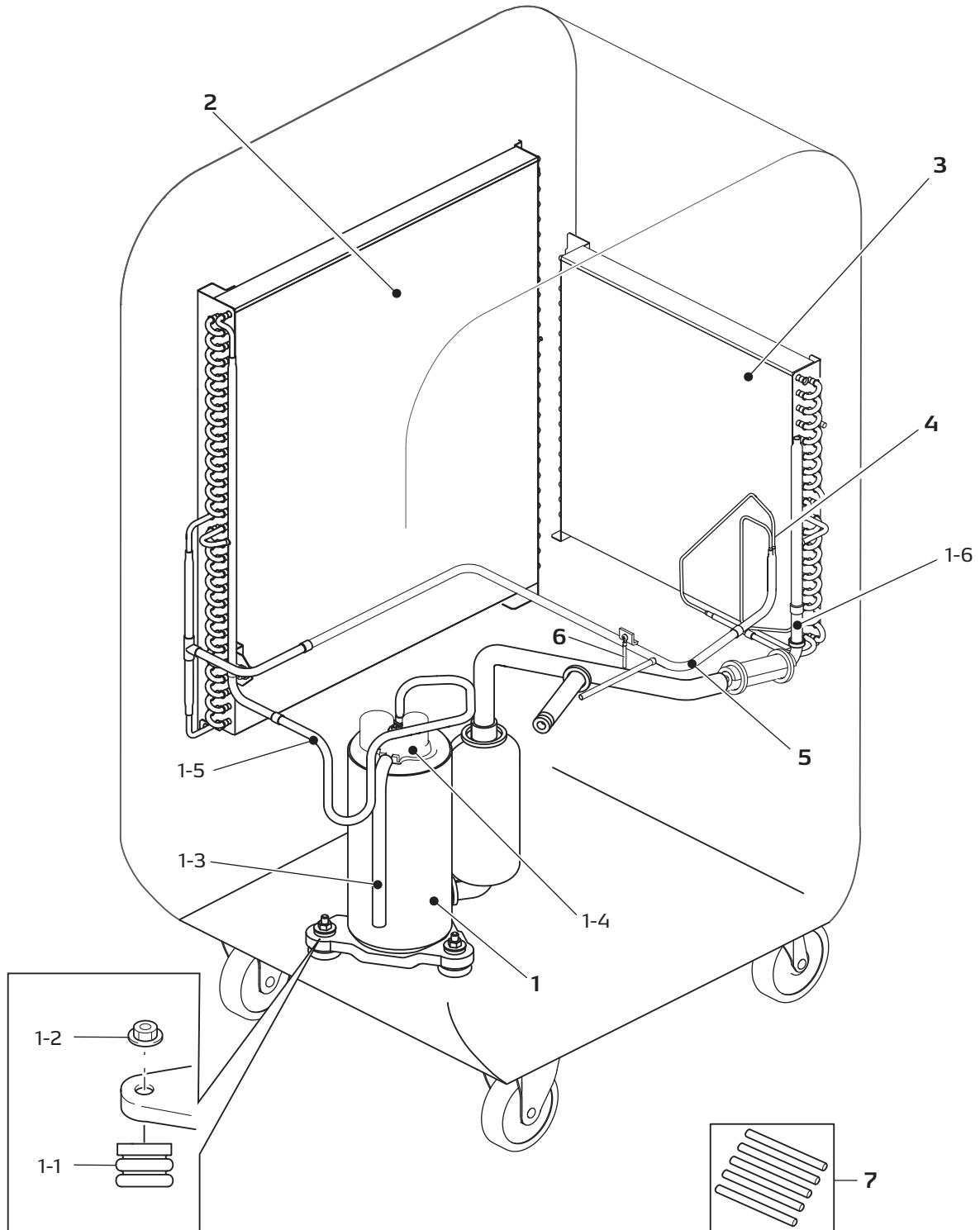
*1 Refer to page 2 for the position of the serial number on the unit. This column shows the first four digits of the serial number.

*2 Refer to the Reference Table on page 18 for more information on the remarks.

Unit Part No: 484000-4650

Unit Serial No. Range: 0819****K12 to Present

Refrigeration Parts



Unit Part No: 484000-4650
Unit Serial No. Range: 0819****K12 to Present

Y003

Refrigeration Parts

No.	NAMES OF PARTS	PART No.	QTY	S/N RANGE*1	REMARKS*2
1	Compressor Assy	484650-3510	1		w/No.1-1 to 1-6
1-1	Cushion	484904-0510	3		
1-2	Nut	482814-0300	3		w/Washer
1-3	Wire Assy	481950-3551	1		
1-4	Wire for Overload Relay	481950-3571	1		
1-5	Pipe	480261-7220	1		
1-6	Pipe Assy, Evaporator Outlet	484800-6120	1		
2	Core Assy, Condenser	484600-3050	1		
3	Core Assy, Evaporator	484600-3100	1		
4	Pipe Assy, Capillary	484800-6160	1		
5	Pipe Assy, Connecting	484800-6170	1		
6	Wire Assy	481950-3430	1		
7	Pipe Assy, Charging	484800-0440	1		5 pieces per package

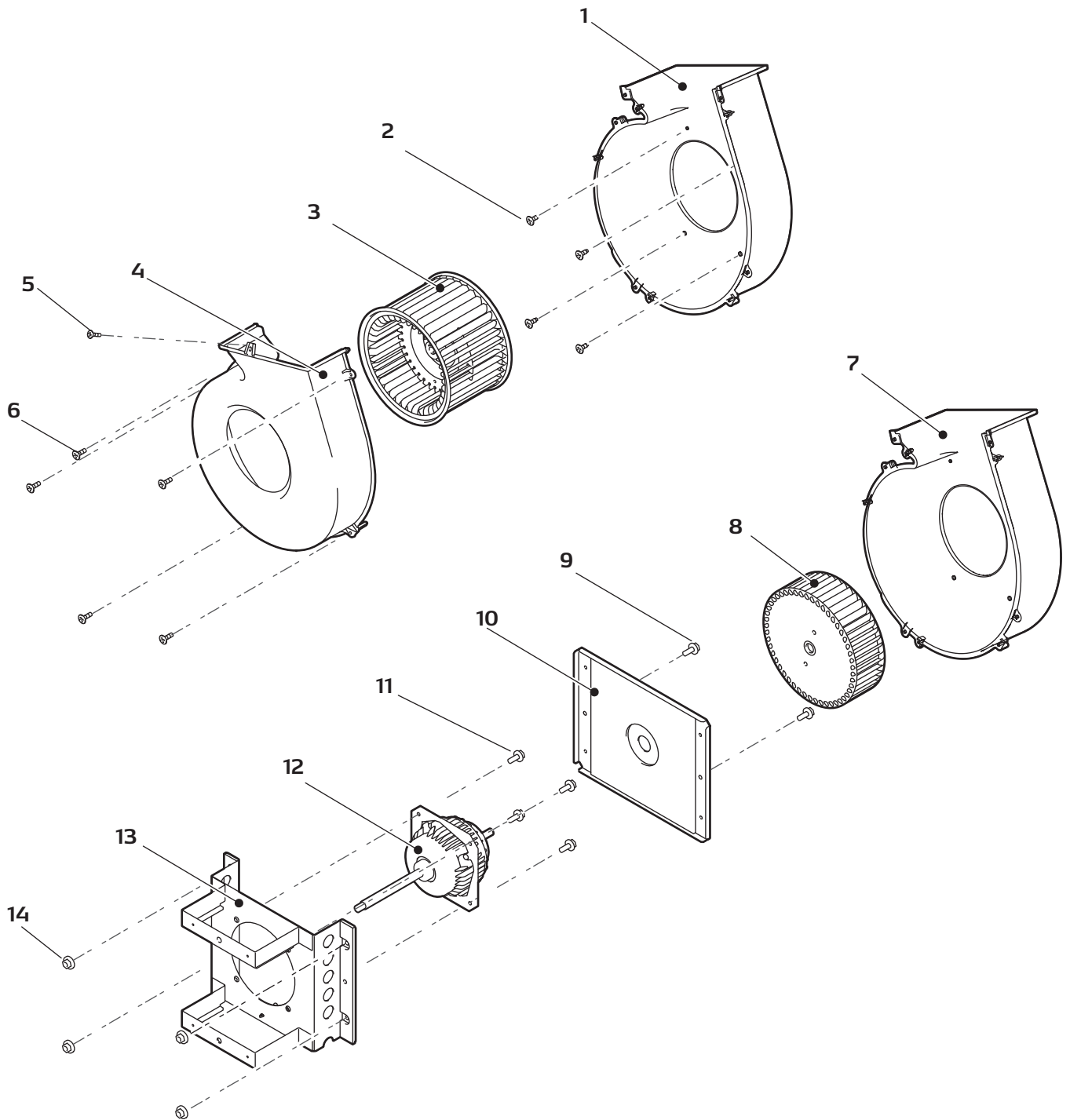
*1 Refer to page 2 for the position of the serial number on the unit. This column shows the first four digits of the serial number.

*2 Refer to the Reference Table on page 18 for more information on the remarks.

Unit Part No: 484000-4650

Unit Serial No. Range: 0819****K12 to Present

Blower Parts



Unit Part No: 484000-4650
Unit Serial No. Range: 0819****K12 to Present

Y004

Blower Parts

No.	NAMES OF PARTS	PART No.	QTY	S/N RANGE*1	REMARKS*2
1	Casing, Condenser Fan	480420-0240	1		
2	Bolt	480919-1820	4		M4 x 0.7, L=10 Black
3	Fan, Condenser	484221-0890	1		
4	Casing Assy, Condenser Fan	480420-0260	1		
5	Screw, Tapping	949001-2580	1		D4, L=14
6	Screw, Tapping	482801-3270	5		D4, L=12
7	Casing Assy, Evaporator Fan	480420-0240	1		
8	Fan, Evaporator	484221-0880	1		
9	Screw	949006-5850	2		M4 x 0.7, L=10
10	Motor Stay	484310-6780	1		
11	Bolt, w/Washer	91570-06163	4		M6, L16
12	Fan Motor	484210-0560	1		
13	Frame Sub-Assy	484310-6820	1		
14	Nut	949056-1430	4		M6

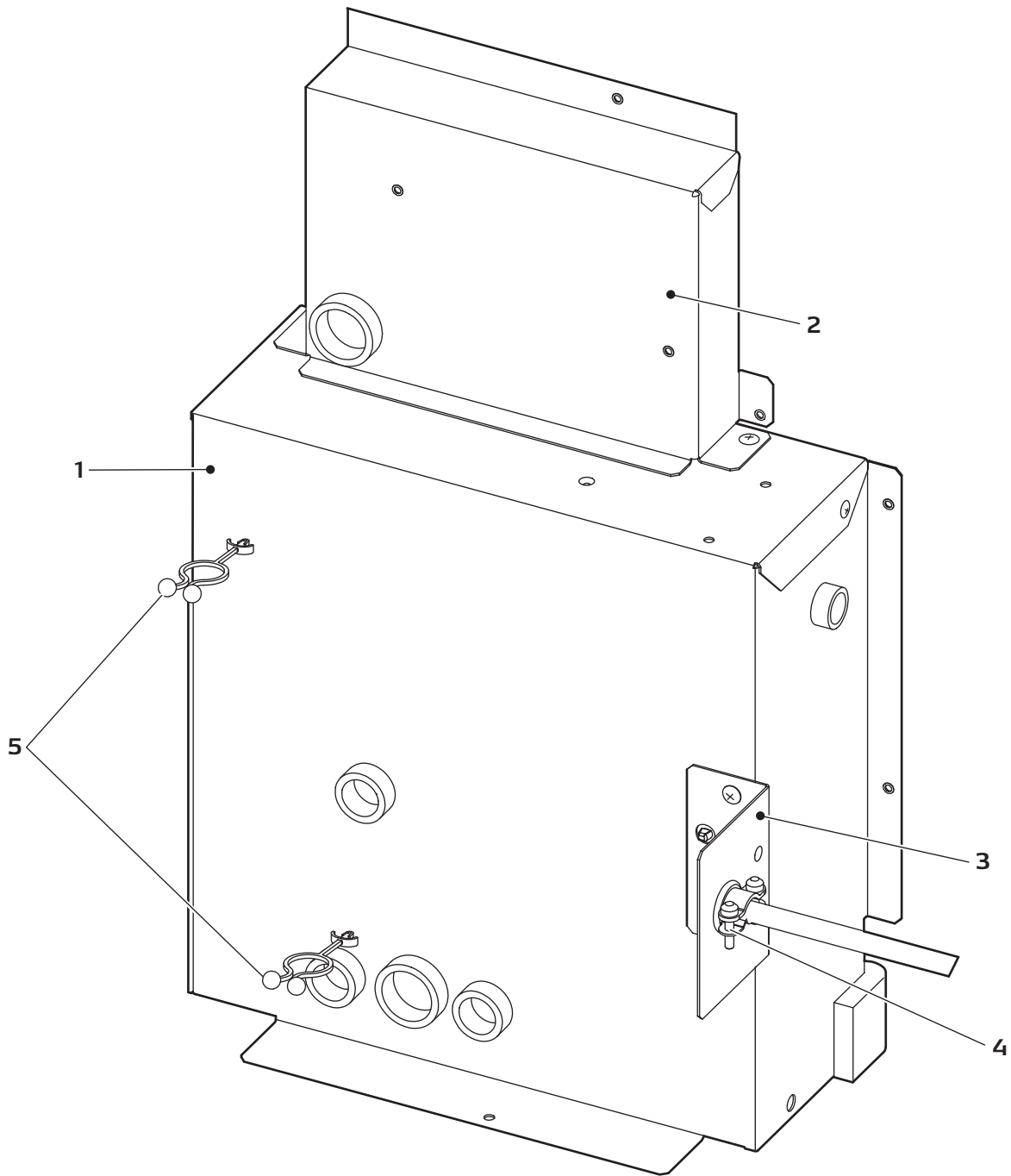
*1 Refer to page 2 for the position of the serial number on the unit. This column shows the first four digits of the serial number.

*2 Refer to the Reference Table on page 18 for more information on the remarks.

Unit Part No: 484000-4650

Unit Serial No. Range: 0819****K12 to Present

Control Box Parts_1



Unit Part No: 484000-4650
Unit Serial No. Range: 0819****K12 to Present

Y005

Control Box Parts_1

No.	NAMES OF PARTS	PART No.	QTY	S/N RANGE*1	REMARKS*2
1	Service Box	484520-1480	1		
2	Service Box	484321-4870	1		For Communication Module
3	Bracket	484321-4840	1		
4	Connector	479748-0020	1		
5	Clamp	481902-0070	2		

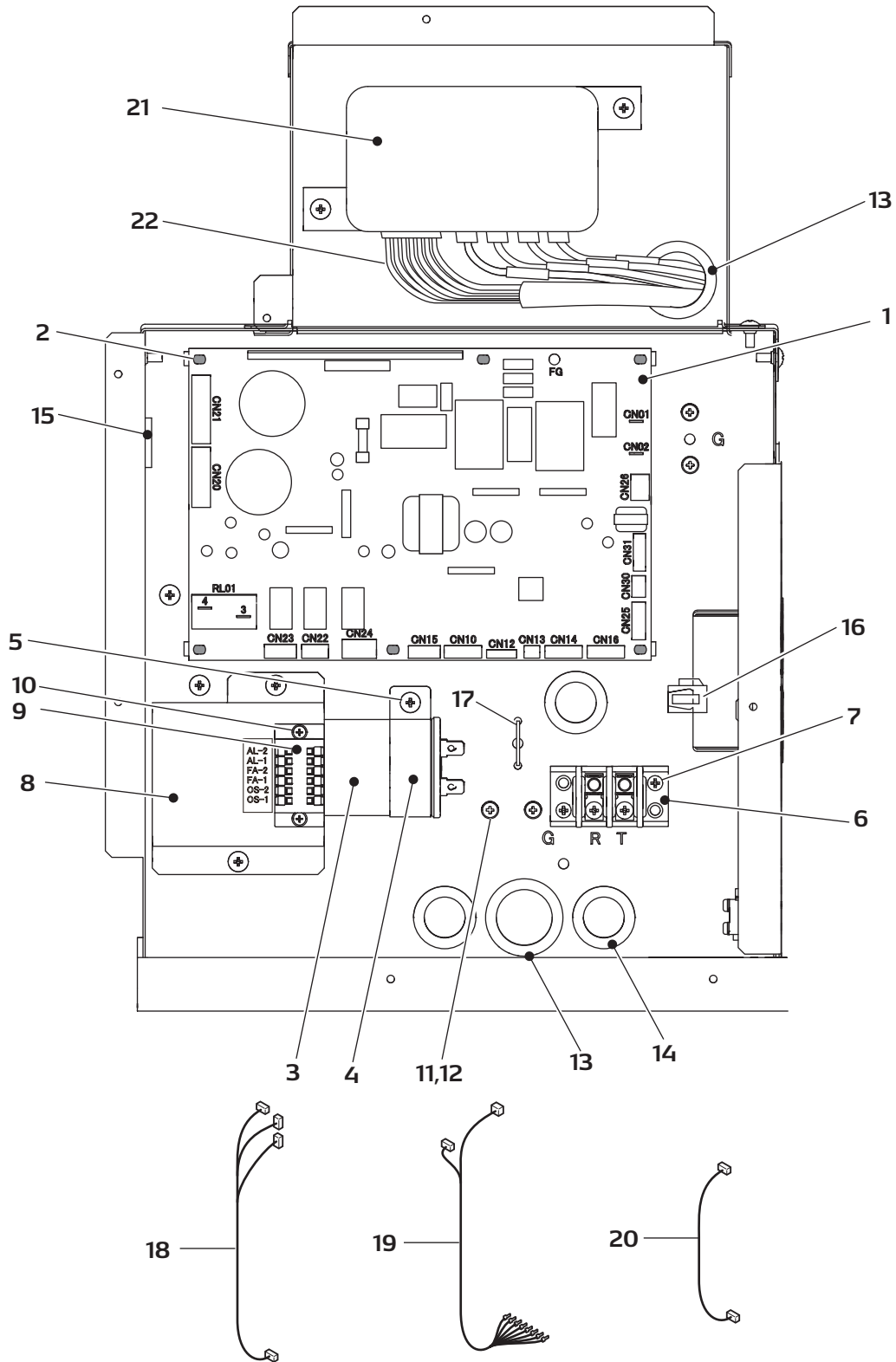
*1 Refer to page 2 for the position of the serial number on the unit. This column shows the first four digits of the serial number.

*2 Refer to the Reference Table on page 18 for more information on the remarks.

Unit Part No: 484000-4650

Unit Serial No. Range: 0819****K12 to Present

Control Box Parts_2



Unit Part No: 484000-4650
 Unit Serial No. Range: 0819****K12 to Present

Y006

Control Box Parts_2

No.	NAMES OF PARTS	PART No.	QTY	S/N RANGE*1	REMARKS*2
1	Relay Board	484500-5290	1		
2	Support	465586-0220	6		
3	Capacitor, Compressor	484507-2260	1		260VAC, 45 μ F
4	Holder	484321-4850	1		
5	Screw	949006-5850	9		
6	Terminal Block	484503-1580	1		For Power
7	Screw	949001-0800	2		M4 x 0.7, L=16
8	Bracket	484320-0960	1		
9	Terminal Block	484503-1570	1		For Input/Output Signal
10	Screw w/Washer	91370-03081	2		M3 x 0.5, L=8
11	Screw	91051-04080	3		Ground (M4x0.7, L=10)
12	Washer, Plate	90201-04300	2		
13	Grommet	484926-0860	2		Φ 26
14	Grommet	949321-3010	3		Φ 19
15	Grommet	949321-3000	1		Φ 15
16	Connector, Jumper	481950-3460	1		Drain Pump
17	Clamp	481902-0070	1		
18	Wire Assy	481950-3470	1		(RB) \leftrightarrow (TB)
19	Wire Assy	481950-3480	1		(RB) \leftrightarrow (TB)
20	Wire Assy	481950-3500	1		(RB, CC) \leftrightarrow (TB)
21	Communication Module	484500-5011	1		
22	Wire Assy	481950-3541	1		For Communication Module

*1 Refer to page 2 for the position of the serial number on the unit. This column shows the first four digits of the serial number.

*2 Refer to the Reference Table on page 18 for more information on the remarks.

Unit Part No: 484000-4650

Unit Serial No. Range: 0819****K12 to Present

REFERENCE TABLE

ABBREVIATION	MEANING
CB	Control Board
CC	Capacitor for Compressor
LCDI	Leakage Current Detection Interrupter
RB	Relay Board
TB	Terminal Block

MEMO

DENSO

DENSO PRODUCTS AND SERVICES AMERICAS, INC.

Long Beach, CA 90810
www.movincool.com