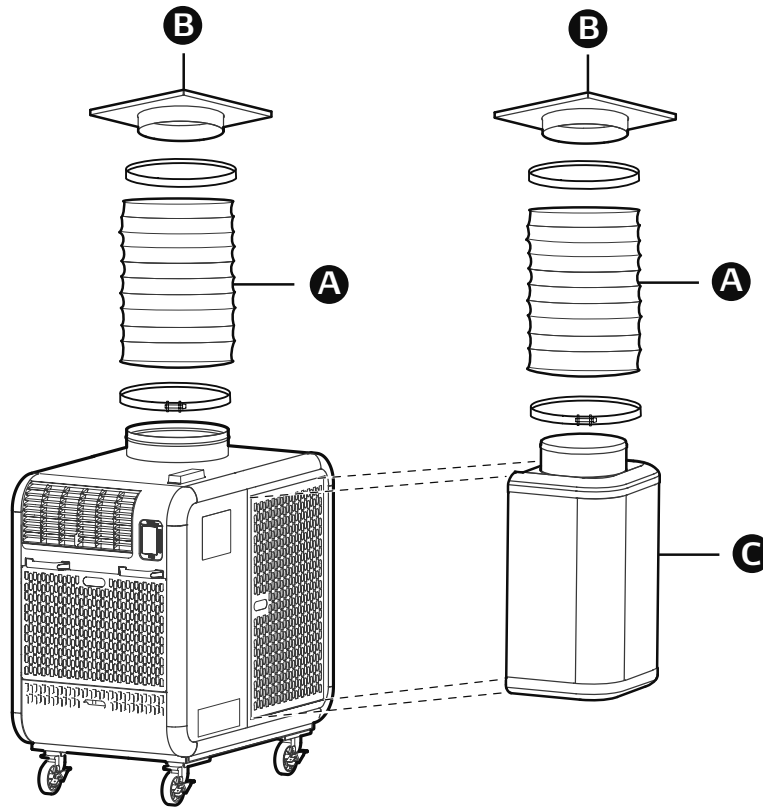


Accessory Installation Manual

484007-5030



No.	Part Name	Climate Pro K36	Climate Pro K60	Climate Pro K63
A	Warm Air Flexible Duct	LAY45820-0010	LAY45820-0010	LAY45820-0010
B	Ceiling Tile Kit	484490-1040	484490-1040	484490-1040
C	Condenser Air Plenum	484350-1230	484350-1240	484350-1240

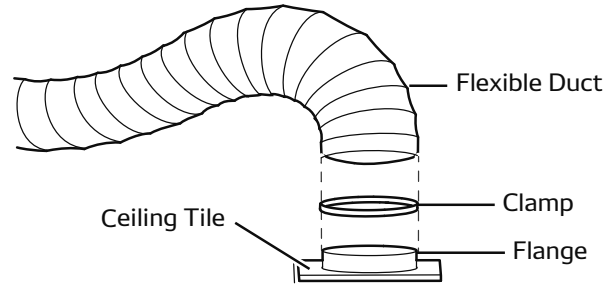
Application	Required Accessories	Page No.
Attachment of Warm Air Flexible Duct	A B	2
Attachment of Condenser Air Plenum	C	2 - 4

WARNING

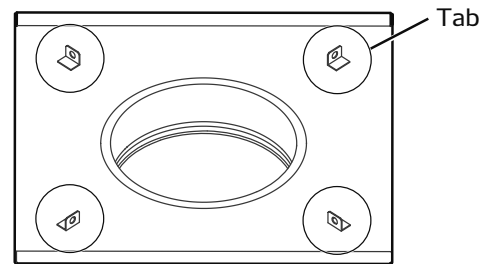
Disconnect power before installation. Beware that some residual voltage may remain in the unit after the power is disconnected. There is a risk of electric shock.

ATTACHMENT OF WARM AIR FLEXIBLE DUCT

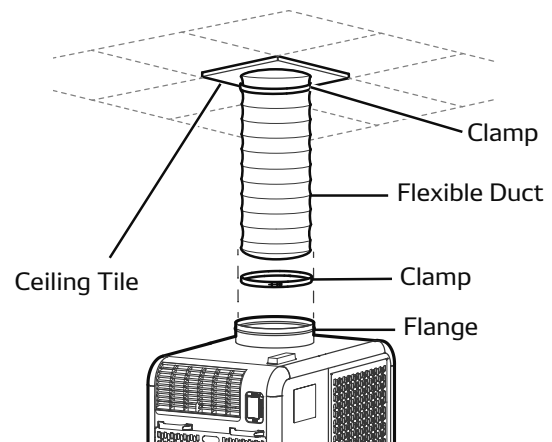
1. Place the warm air flexible duct over the accessory ceiling tile flange and secure the duct with the clamp.



2. Remove the original ceiling tile and install the ceiling tile with duct. Use the tabs with holes to secure the tile in place in case ceiling T-bar is too narrow or weak.

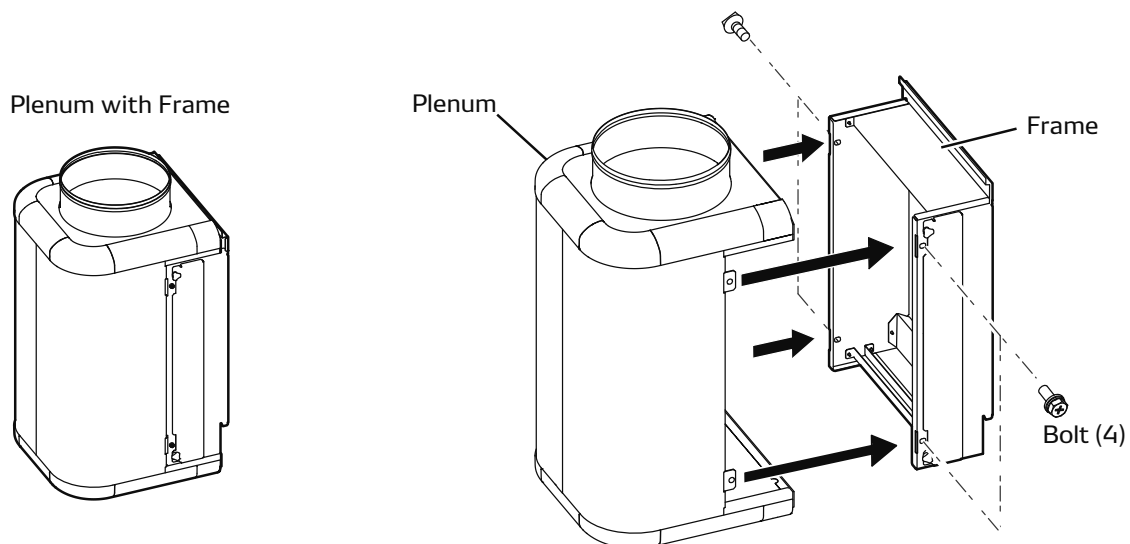


3. Place the other duct end over the flange on top of the unit or plenum. Secure the duct with the clamp.

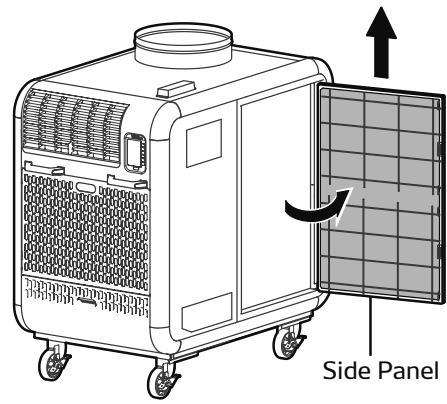


ATTACHMENT OF CONDENSER AIR PLENUM

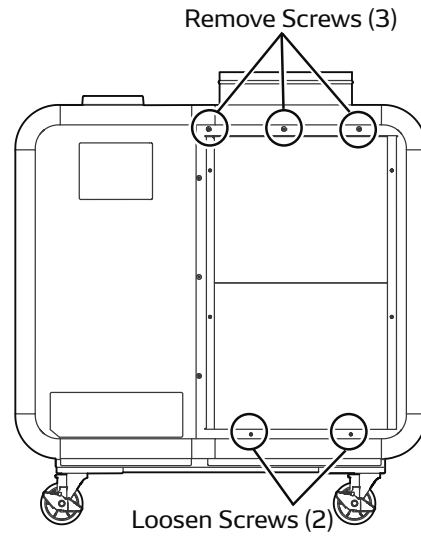
1. Separate the frame and plenum by removing the four (4) bolts.



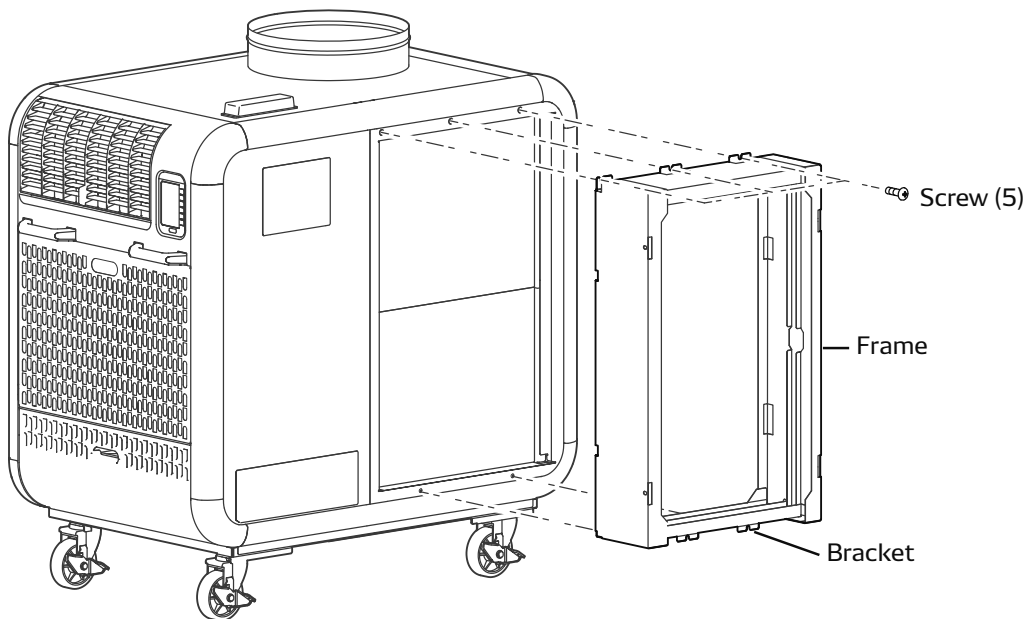
2. Open the side panel and remove it by lifting upward.



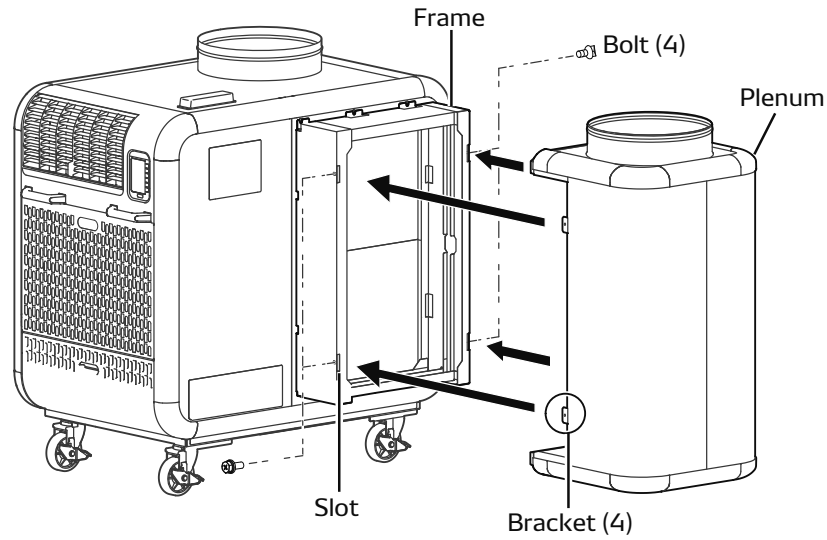
3. Loosen the bottom two (2) screws and remove the three (3) screws from the side of the unit.



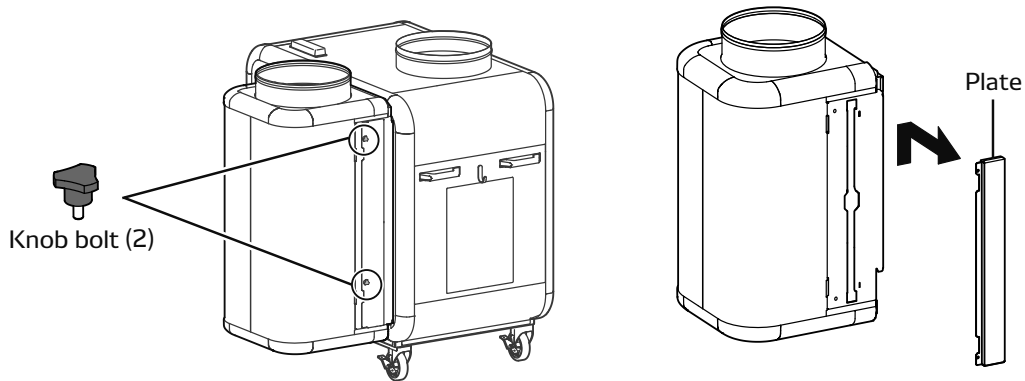
4. Slide the lower brackets of the frame over the loosened screws and secure the five (5) screws to attach the frame to the side of the unit.



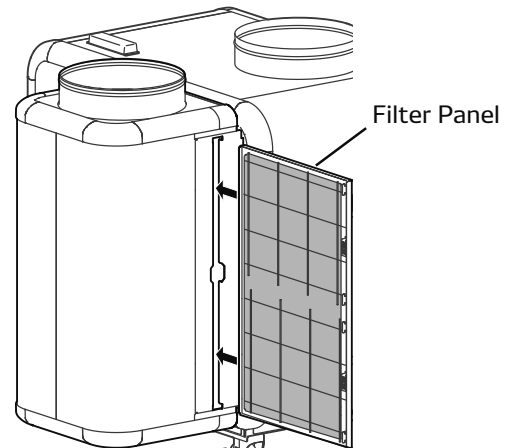
4. Insert the four (4) brackets of the plenum into the slots of the frame and secure the plenum to the frame with the four (4) bolts, which were removed in step 1 on page 2.



5. Remove the two (2) knob bolts and remove the plate from the plenum by lifting upward.



6. Insert the filter panel into the plenum as shown.



7. Reinstall the plate and secure it with the two (2) knob bolts.

⚠ CAUTION

Do not lean on the unit or move the unit when attaching the air plenum. This may cause injury or damage to the unit due to toppling.