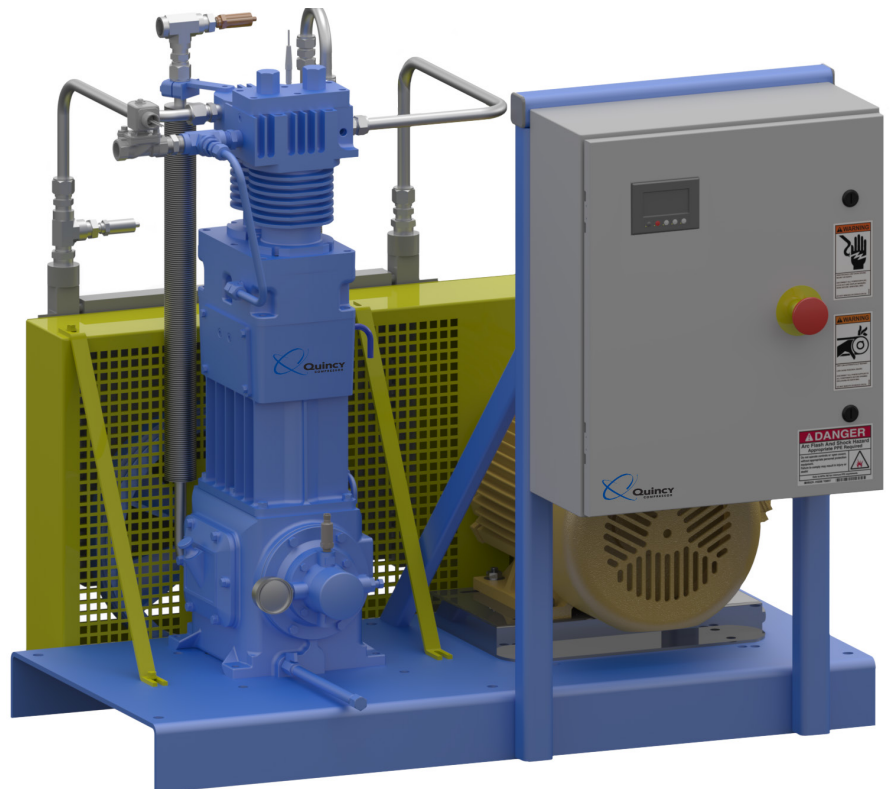


QDS033 10-15 HP Air and Nitrogen Booster

Trust Quincy's line of Oil-Free Air and Nitrogen boosters for your critical project needs. Designed to prevent contamination and losses of the gas stream, these units provide worry free operation and a 20+ year life expectancy.



QDS033 10-15 HP Air and Nitrogen Booster

The QDS033 Features:

- ✓ 100% oil-free gas stream
- ✓ ISO 8573-1 compliance eliminates risk to product and equipment
- ✓ Durable cast iron and steel construction
- ✓ 24 hour duty cycle
- ✓ Simple annual maintenance
- ✓ 24 hour live tech support
- ✓ Made in the USA

QDS033 10-15 HP CAPACITY

Suction Pressure (PSIG)	Discharge Pressure (PSIG)	Minimum Flow (SCFM)	10HP Maximum Flow (SCFM)	15HP Maximum Flow (SCFM)
70	300	22.7	40.7	N/A
70	400	22.0	33.0	39.2
70	450	21.5	31.2	38.5
70	500	21.2	29.5	38.0
80	400	25.0	36.2	44.5
80	450	24.5	32.8	44.0
80	500	24.2	31.0	43.2
90	400	28.0	39.0	50.0
90	450	27.5	35.3	49.2
100	400	31.0	41.5	55.3
100	450	30.5	37.3	54.7

Table based on 80F suction temperature at sea level. Cooling fan option may be required to reach maximum flow.

Contact Quincy Compressor for specific capacity at given conditions.

To ensure we are constantly improving, Quincy Compressor reserves the right to make changes without prior notification.

QDS033 10-15 HP Air and Nitrogen Booster

Dimensions

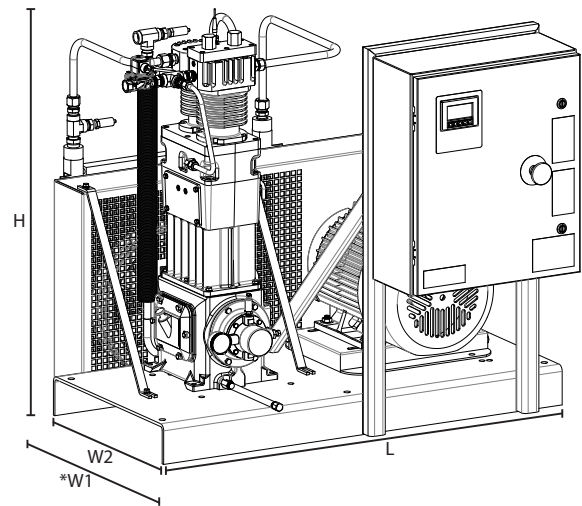
Length:	50"
Overall Width (*W1):	46"
Skid Width (W2):	23"
Height:	48"
Estimated Weight:	850 lbs
Estimated Shipping Weight:	1240 lbs
Suction (FNPT):	3/4"
Discharge (FNPT):	3/4"
Instrument Ports (FNPT):	1/4"

Technical Specifications

Bore:	3.25" X 2.00"
Stroke:	3.00"
No. of Stages:	2
No. of Cylinders:	2
Cooling:	Air
Controls:	PLC Touch Screen Interface
Compressor Model:	2AN10C

Utility Requirements

Power (10 HP):	460/3/60 14.0 FLA
Power (15 HP):	460/3/60 21.7 FLA



*Includes front control panel and rear belt guard assembly.

Options

- Auxiliary Cooling Fan
- Cold Weather Packaging
- Duplex Programming
- Multiple Voltages
- Modbus Gateway
- Moisture Separators
- DSi Install Kit Includes
 - Filters
 - Regulators
 - Tanks
 - Flex Hoses