

QDS060 20-25 HP Air and Nitrogen Booster

Trust Quincy's line of Oil-Free Air and Nitrogen boosters for your critical project needs. Designed to prevent contamination and losses of the gas stream, these units provide worry free operation and a 20+ year life expectancy.



QDS060 20-25 HP Air and Nitrogen Booster

The QDS060 Features:

- ✓ 100% oil-free gas stream
- ✓ ISO 8573-1 compliance eliminates risk to product and equipment
- ✓ Durable cast iron and steel construction
- ✓ 24 hour duty cycle
- ✓ Simple annual maintenance
- ✓ 24 hour live tech support
- ✓ Made in the USA

QDS060 20-25 HP CAPACITY

| Suction Pressure (PSIG) | Discharge Pressure (PSIG) | Minimum Flow (SCFM) | 20 HP Maximum Flow (SCFM) | 25 HP Maximum Flow (SCFM) |
|-------------------------|---------------------------|---------------------|---------------------------|---------------------------|
| 70 | 300 | 40.2 | 71.5 | N/A |
| 70 | 400 | 38.8 | 65.7 | 69.0 |
| 70 | 450 | 38.2 | 62.7 | 68.0 |
| 70 | 500 | 37.5 | 58.2 | 66.7 |
| 80 | 300 | 45.7 | 81.0 | N/A |
| 80 | 400 | 44.2 | 72.5 | 78.5 |
| 80 | 450 | 43.5 | 65.5 | 77.3 |
| 80 | 500 | 42.8 | 62.5 | 76.2 |
| 90 | 400 | 49.5 | 79.0 | 88.0 |
| 90 | 450 | 48.8 | 71.2 | 86.7 |
| 90 | 500 | 48.2 | 68.0 | 81.3 |
| 100 | 400 | 54.8 | 85.0 | 97.5 |
| 100 | 450 | 54.2 | 76.5 | 96.2 |

Table based on 80F suction temperature at sea level. Cooling fan option may be required to reach maximum flow.

Contact Quincy Compressor for specific capacity at given conditions.

To ensure we are constantly improving, Quincy Compressor reserves the right to make changes without prior notification.

QDS060 20-25 HP Air and Nitrogen Booster

Dimensions

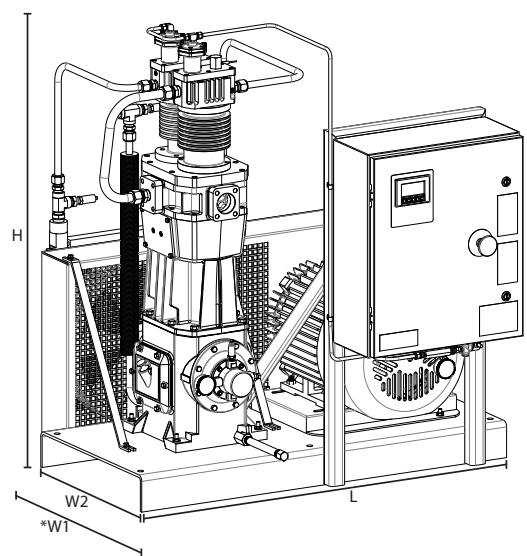
| | |
|----------------------------|-----------|
| Length: | 52" |
| Overall Width (*W1): | 46" |
| Skid Width (W2): | 23" |
| Height: | 54" |
| Estimated Weight: | 1,400 lbs |
| Estimated Shipping Weight: | 1,800 lbs |
| Suction (FNPT): | 2" |
| Discharge (FNPT): | 3/4" |
| Instrument Ports (FNPT): | 1/4" |

Technical Specifications

| | |
|-------------------|----------------------------|
| Bore: | 4.00" X 2.50" |
| Stroke: | 3.50" |
| No. of Stages: | 2 |
| No. of Cylinders: | 2 |
| Cooling: | Air |
| Controls: | PLC Touch Screen Interface |
| Compressor Model: | 2AN15D |

Utility Requirements

| | |
|----------------|-------------------|
| Power (20 HP): | 460/3/60 27.3 FLA |
| Power (25 HP): | 460/3/60 34.3 FLA |



*Includes front control panel and rear belt guard assembly.

Options

- Auxiliary Cooling Fan
- Cold Weather Packaging
- Duplex Programming
- Multiple Voltages
- Modbus Gateway
- Moisture Separators
- DSi Install Kit Includes
 - Filters
 - Regulators
 - Tanks
 - Flex Hoses