

# QDS044 10-15 HP Air and Nitrogen Booster

Trust Quincy's line of Oil-Free Air and Nitrogen boosters for your critical project needs. Designed to prevent contamination and losses of the gas stream, these units provide worry free operation and a 20+ year life expectancy.



## QDS044 10-15 HP Air and Nitrogen Booster

### The QDS044 Features:

- ✓ 100% oil-free gas stream
- ✓ ISO 8573-1 compliance eliminates risk to product and equipment
- ✓ Durable cast iron and steel construction
- ✓ 24 hour duty cycle
- ✓ Simple annual maintenance
- ✓ 24 hour live tech support
- ✓ Made in the USA

## QDS044 10-15 HP CAPACITY

Suction Pressure (PSIG)	Discharge Pressure (PSIG)	Minimum Flow (SCFM)	10 HP Maximum Flow (SCFM)	15 HP Maximum Flow (SCFM)
70	200	29.0	52.0	N/A
70	250	27.7	45.0	49.7
70	300	26.5	31.0	N/A
80	200	33.2	59.3	N/A
80	250	31.8	50.0	57.0
80	300	30.7	42.7	49.7
90	200	37.3	66.8	N/A
90	250	36.0	56.3	64.5
90	300	34.7	46.5	62.2
100	200	41.5	74.3	N/A
100	250	40.2	65.2	71.8
100	300	38.8	52.0	69.5

Table based on 80F suction temperature at sea level. Cooling fan option may be required to reach maximum flow. Contact Quincy Compressor for specific capacity at given conditions.

To ensure we are constantly improving, Quincy Compressor reserves the right to make changes without prior notification.

# QDS044 10-15 HP Air and Nitrogen Booster

### Dimensions

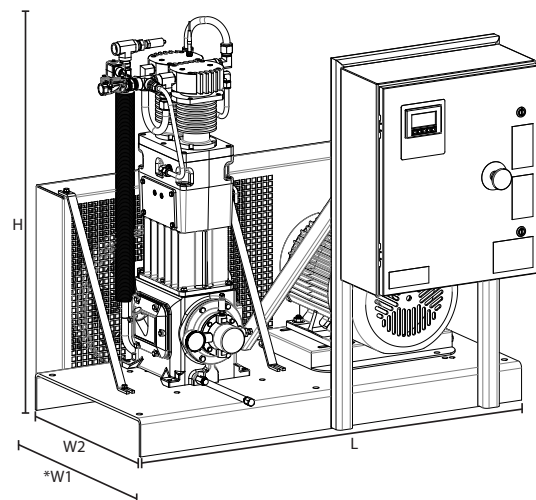
Length:	50"
Overall Width (*W1):	46"
Skid Width (W2):	23"
Height:	48"
Estimated Weight:	850 lbs
Estimated Shipping Weight:	1250 lbs
Suction (FNPT):	3/4"
Discharge (FNPT):	3/4"
Instrument Ports (FNPT):	1/4"

### Technical Specifications

Bore:	2.50"
Stroke:	3.00"
No. of Stages:	1
No. of Cylinders:	2
Cooling:	Air
Controls:	PLC Touch Screen Interface
Compressor Model:	AN10C

### Utility Requirements

Power (10 HP):	460/3/60 14.0 FLA
Power (15 HP):	460/3/60 21.7 FLA



\*Includes front control panel and rear belt guard assembly.

### Options

- Auxiliary Cooling Fan
- Cold Weather Packaging
- Duplex Programming
- Multiple Voltages
- Modbus Gateway
- Moisture Separators
- DSi Install Kit Includes
  - Filters
  - Regulators
  - Tanks
  - Flex Hoses