

# QDS012 Air and Nitrogen Booster

Trust Quincy's line of Oil-Free Air and Nitrogen boosters for your critical project needs. Designed to prevent contamination and losses of the gas stream, these units provide worry free operation and a 20+ year life expectancy.



## QDS012 Air and Nitrogen Booster

### The QDS012 Features:

- ✓ 100% oil-free gas stream
- ✓ ISO 8573-1 compliance eliminates risk to product and equipment
- ✓ Durable cast iron and steel construction
- ✓ 24 hour duty cycle
- ✓ Simple annual maintenance
- ✓ 24 hour live tech support
- ✓ Made in the USA

## QDS012 CAPACITY

Suction Pressure (PSIG)	Discharge Pressure (PSIG)	Minimum Flow (SCFM)	5HP Maximum Flow (SCFM)
70	300	8.6	15.4
70	400	8.3	14.9
70	450	8.2	14.6
70	500	8.0	14.4
70	600	7.8	13.0
80	300	9.8	17.5
80	400	9.5	16.8
80	450	9.3	16.6
80	500	9.2	15.4
80	550	9.0	14.6
80	600	8.9	13.9

Table based on 80F suction temperature at sea level. Cooling fan option may be required to reach maximum flow. Contact Quincy Compressor for specific capacity at given conditions. To ensure we are constantly improving, Quincy Compressor reserves the right to make changes without prior notification.

# QDS012 Air and Nitrogen Booster

### Dimensions

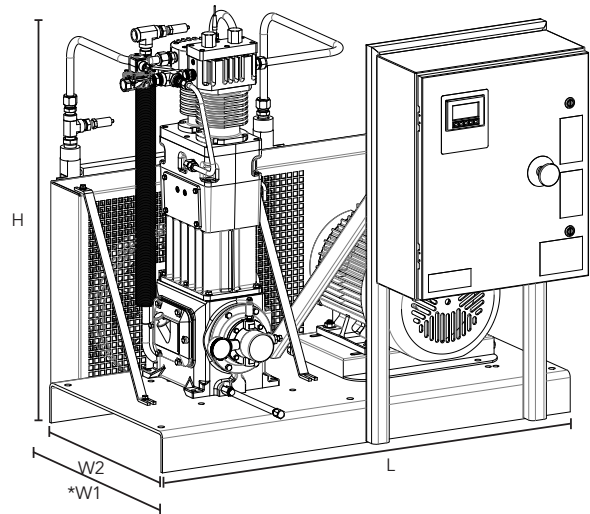
Length: ..... 50"  
 Overall Width (\*W1): ..... 46"  
 Skid Width (W2): ..... 23"  
 Height: ..... 48"  
 Estimated Weight: ..... 850 lbs  
 Estimated Shipping Weight: ..... 1100 lbs  
 Suction (FNPT): ..... 3/4"  
 Discharge (FNPT): ..... 3/4"  
 Instrument Ports (FNPT): ..... 1/4"

### Technical Specifications

Bore: ..... 2.00" x 1.125"  
 Stroke: ..... 3.00"  
 No. of Stages: ..... 2  
 No. of Cylinders: ..... 2  
 Cooling: ..... Air  
 Controls: ..... PLC Touch Screen Interface  
 Compressor Model: ..... 2AN3C

### Utility Requirements

Power (5 HP): ..... 460/3/60 7.3 FLA



\*Includes front control panel and rear belt guard assembly.

### Options

- Auxiliary Cooling Fan
- Cold Weather Packaging
- Duplex Programming
- Multiple Voltages
- Modbus Gateway
- Moisture Separators
- DSi Install Kit Includes
  - Filters
  - Regulators
  - Tanks
  - Flex Hoses